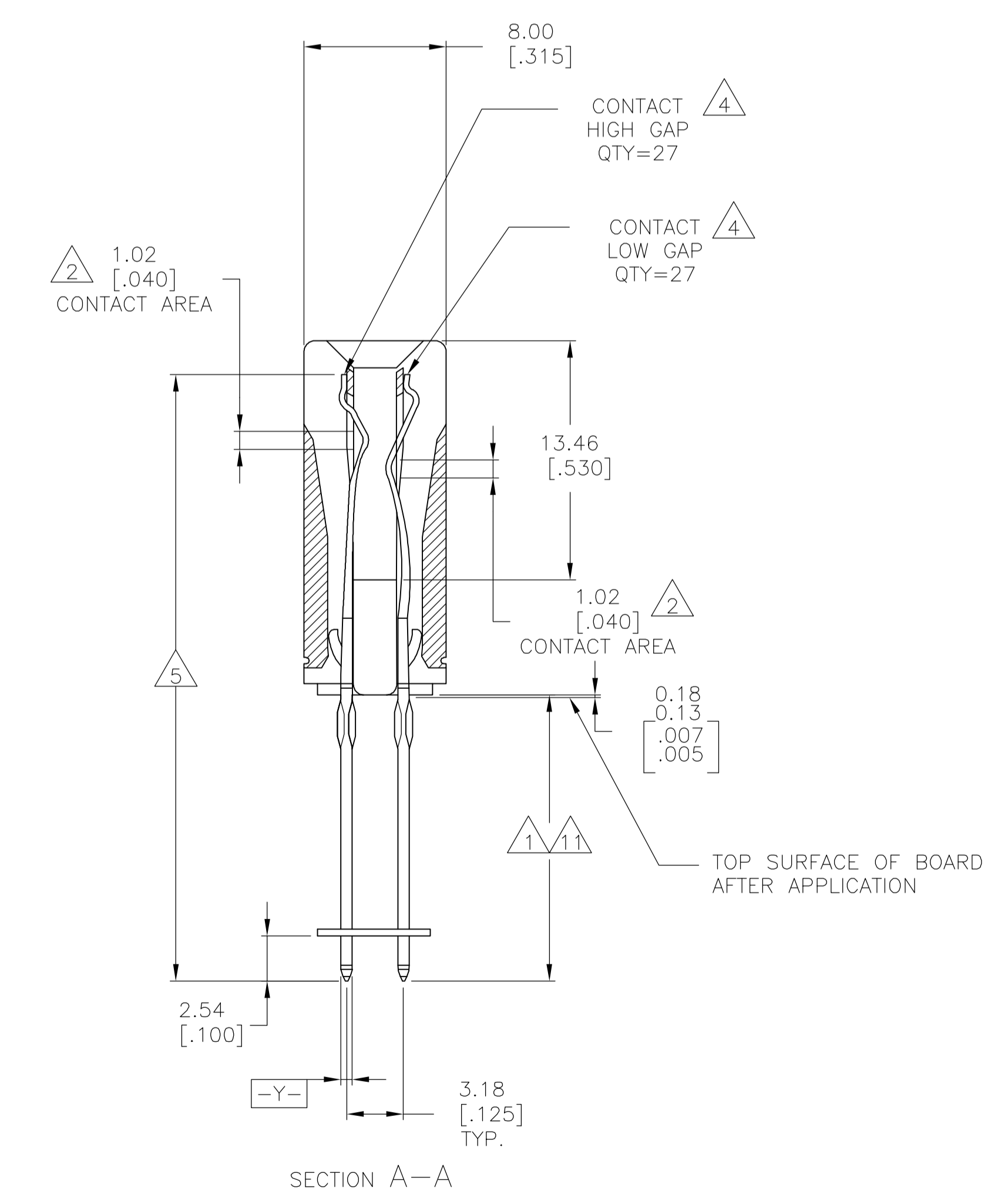
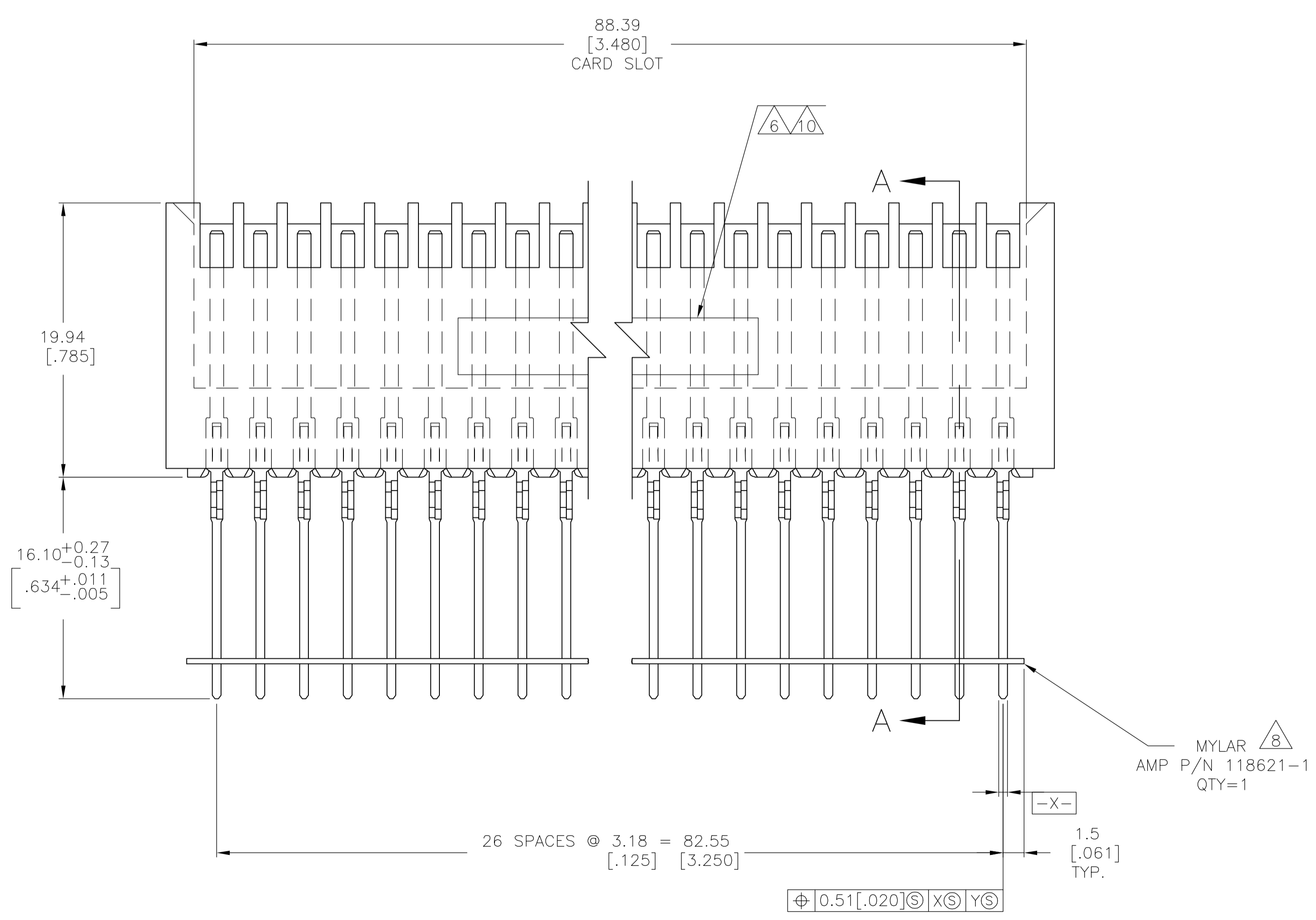
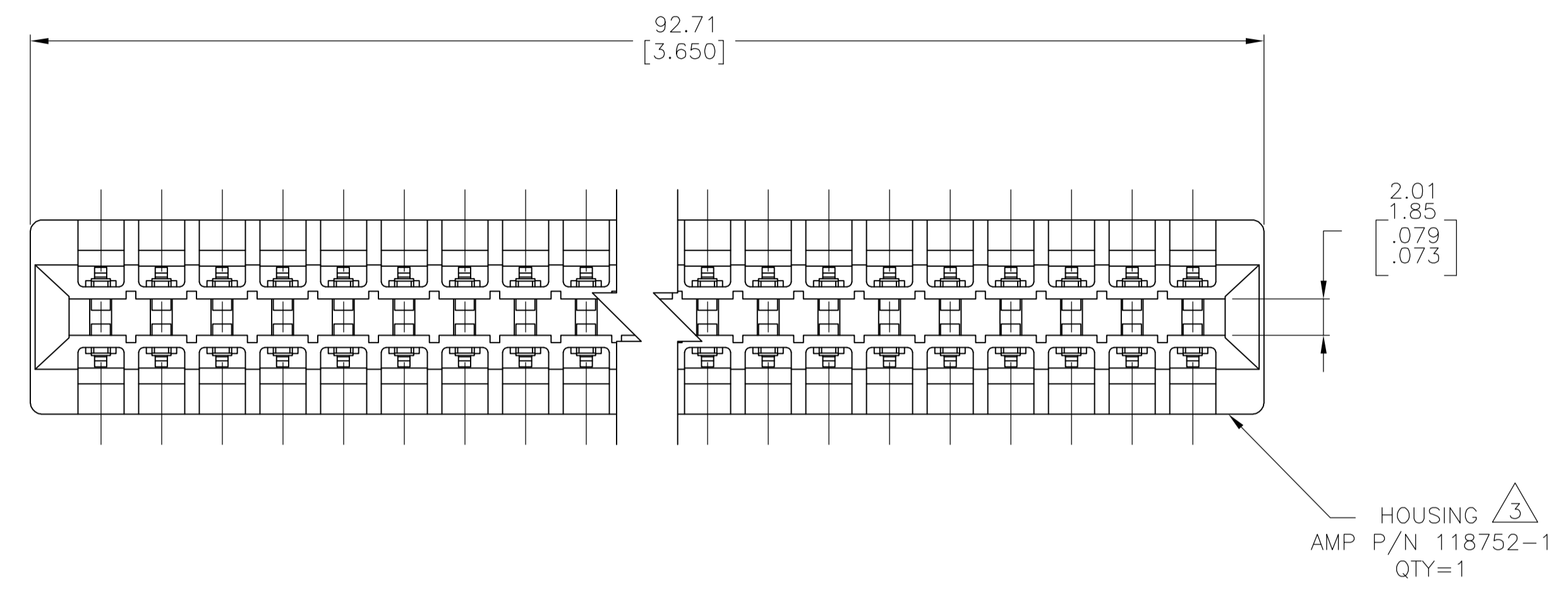


- 1 SOLDER PLATE 0.00076 [.000030] MIN. THICK ON POST AND ACTION PIN AREA ONLY.
- 2 GOLD PLATE .00076 [.000030] MIN. THICK.
- 3 HOUSING MATERIAL: VALOX 420 SEO, 30% GLASS REINFORCED.
- 4 CONTACT MATERIAL: PHOSPHOR BRONZE.
- 5 NICKEL PLATE 0.00254 [.000100] MIN. THICK.
- 6 HOT STAMPED AMP PART NUMBER AND DATE CODE IN 1/16 HIGH NEWS GOTHIC CHARACTERS CENTRALLY LOCATED AS SHOWN, SIDE OPTIONAL.
- 7. ALL DIMENSIONS ARE REFERENCE UNLESS OTHERWISE NOTED.
- 8 MATERIAL: MYLAR, CLEAR-TYPE D.
- 9. RECOMMENDED HOLE SIZE AS FOLLOWS:

REQUIRED DRILL	DRILL HOLE DIAMETER ±0.03 [±.001]	PLATING		HOLE DIAMETER		COPPER HARDNESS	PAD DIAMETER MIN.
		COPPER	Pb Sn	AFTER PLATING	AFTER REFLOW		
NO. 56	1.181 [.0465]	0.03/0.08 [.001/.003]	0.008 MIN. [.0003] MIN.	0.97/1.12 [.038/.044]	0.94/1.22 [.037/.048]	150 KNOOP MAX.	1.57 [.062]

- 10 ALL PARTS ASSEMBLED IN MEXICO MUST BE HOT STAMPED "ASSY IN MEXICO" THE WORD "MEXICO" CAN BE SUBSTITUTED ONLY WHERE PART SIZE PROHIBITS STAMPING "ASSY IN MEXICO". STAMP APPROX WHERE SHOWN.
- 11 MATTE TIN PLATE 0.00076 [.000030] MIN. THICK ON POST AND ACTION PIN AREA ONLY.



5-645394-1
645394-1
PART NUMBER

THIS DRAWING IS A CONTROLLED DOCUMENT.		DIN T. SHUEY 11-5-96	 Tyco Electronics Corporation Harrisburg, Pa 17105-3608
DIMENSIONS: mm [INCHES]		CHK H. ROSE 11-21-96	
TOLERANCES UNLESS OTHERWISE SPECIFIED:		APVD H. ROSE 11-21-96	NAME
0 PLC ± -	1 PLC ± -	2 PLC ± -	PRODUCT SPEC
3 PLC ± .005	4 PLC ± -	ANGLES ± -	APPLICATION SPEC
MATERIAL SEE CALLOUTS	FINISH SEE CALLOUTS	WEIGHT	SIZE CASE CODE DRAWING NO
Au PL PER MIL-Q-45204	Ni PL PER QQ-N-290		A1 00779 C=645394
CUSTOMER DRAWING		SCALE 4:1	RESTRICTED TO
		SHEET 1 OF 1	REV F